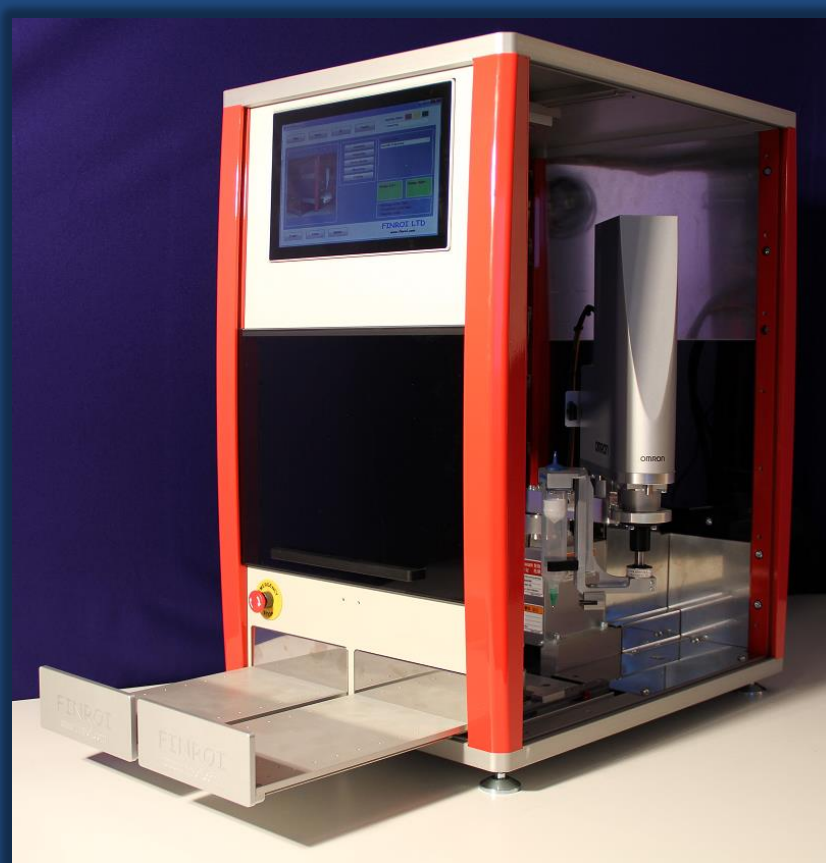


# FIN-R2 DeskTop Robot Cell



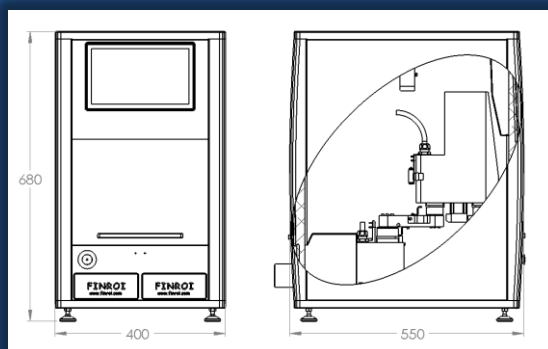
## Application:

- Gripper technologies
- Pick & place assemblies
- Fluid dispensing
- Screw Driving
- Plasma treatment
- Inkjet, laser and labeling

## Key Features:

- Machine vision for proper alignment
- Auto tool changer
- Feeding System
  - Dual sledge feeding
  - Pallet and Conveyor Belts
- Feeders Type
  - Tray feeders
  - Bowl feeders
  - Tape & Reel feeders

ITEMS	FIN-R2 DeskTop Robot Cell
Axis	4-axis Scara
Arm lenght	220mm
Robot repeatability	+/- 0.01mm
Maximum payload	1kg
Brakes	All axis
Robot cell weight	40kg
Robot cell size	(W) 400mm x (D) 600mm x (H) 680mm
Controller size	(W) 300mm x (D) 530mm x (H) 320mm
Supply voltage	200-230VAC, 50-60 Hz



## FEATURES AND BENEFITS:

- Open frame encapsulation structure allows easy access on replaceable components and parts enables quick product application customization.
- Easy to use touch screen user interface and can be customized to meet customer requirement.
- Machine vision technology allows accurate robot positioning and quality inspections.
- Safety devices is integrated in the system design to ensure proper safety for users.